

27 cu. ft. Counter-Depth MAX™ 3-Door French Door Refrigerator



- Counter-Depth MAX™
- 26.5 cu. ft. Capacity
- Factory Installed Ice Maker
- Internal Water Dispenser
- Premium LED Lighting
- Cool Guard Stainless Steel Back Wall and Charcoal Gray Interior
- LG ThinQ® Technology (Wi-Fi)
- ThinQ Care



COUNTER-DEPTH MAX™

COLOR AVAILABILITY

● SRFB27S3 – PrintProof® Stainless Steel

○ SRFB27W3 – Essence White

CAPACITY

Refrigerator (cu. ft.)	17.8
Freezer (cu. ft.)	8.7
Total Capacity (cu. ft.)	26.5

ENERGY

Energy Consumption (kWh / Year)	632
ENERGY STAR® Certified	Yes

WATER & ICE SYSTEM

In-Door Dispenser	No
Internal Water Dispenser	Yes
Freezer Ice Maker	Yes (1)
Freezer Ice Maker - Ice Type	Cubed & Crushed
Freezer Ice Maker - Daily Ice Production	2.5 lbs. (3.0 lbs. w/IcePlus®)
Freezer Ice Maker - Ice Storage Capacity	4.0 lbs
Dispenser Light	N/A
Measured Fill	N/A
Water Filter	LT1000P (NSF-Certified*)

COOLING

Compressor Type	Linear Compressor
Dual Evaporators	No (1 evaporator)
Multi-Air Flow System	Yes
Door Cooling+	Yes
Fresh Air Filter	Yes

CONVENIENCE

Display Type	Smooth Touch Control / White LED
Temperature Controls	Electronic / Digital
Door Alarm	Yes
Child Lock	Yes
Auto Closing Door Hinge	Yes (Left Door Only)
ADA Compliant	Yes
Sabbath Mode	Yes
LoDecibel® Quiet Operation	Yes

REFRIGERATOR

No. of Shelves	4 Split (3 Fixed + 1 Folding)
Cantilevered Shelves	Yes (Hybrid Cantilevered)
Shelf Construction	Spill Protector™ Tempered Glass
Crisper Bins	2 Humidity Crispers
Glide N' Serve® Pantry Drawer	Yes
Cool Guard	Yes
Refrigerator Light	Micro Surface LED

REFRIGERATOR DOOR

Edge-to-Edge InstaView®	No
InstaView® Door-in-Door®	No
Door-in-Door® with ColdSaver® Panel	No
No. of Door Bins	8
Door Bin Construction	1 Piece (Clear)

FREEZER

Freezer Type	Pull Drawer
Freezer Drawers	2-Tier Organization
DuraBase® Solid Drawer Base	Yes
Drawer Divider	Yes
Ice Storage	Ice Maker & Ice Bin in Freezer
Freezer Light	Premium LED
Freezer Handle	SmartPull® Handle

SMART FEATURES

Wi-Fi Enabled	Yes
ThinQ® Technology	Yes
ThinQ Care	Yes
Voice Control	Google Assistant, Amazon Alexa
SmartDiagnosis™	Yes
Remote Monitoring	Yes

MATERIALS AND FINISHES

Hidden Hinges	Yes
Surface	Smooth
Fingerprint & Smudge Resistant Exterior	Yes (PrintProof® Stainless Steel model only)
Handles	Matching Handles

ACCESSORIES

Replacement Water Filter	LT1000P
Replacement Fresh Air Filter	LT120F

TECHNICAL SPECS

Required Power Supply	115 V, 60 Hz, 15 Amp
Plug Type	3-Prong
Power Cord Location	Top
Min. / Max. Water Pressure	20 - 120 psi

DIMENSIONS / CLEARANCES / WEIGHTS

Depth with Handles	31 3/4"
Depth without Handles	29 1/8"
Depth without Door	24 3/4"
Depth (Total with Door Open)	43 5/8"
Height to Top of Case	68 7/8"
Height to Top of Door Hinge	70 1/4"
Width	35 3/4"
Width (Door Open 90° with Handle)	44 7/8"
Width (Door Open 90° without Handle)	40"
Door Edge Clearance with Handle	4 1/4"
Door Edge Clearance without Handle	2 1/4"
Installation Clearance	1/8", Top 1", Back 2"
Approx. Weight (Product / Carton)	254 lbs. / 276 lbs.
Carton Dimensions (WxHxD)	38" x 73" x 32"

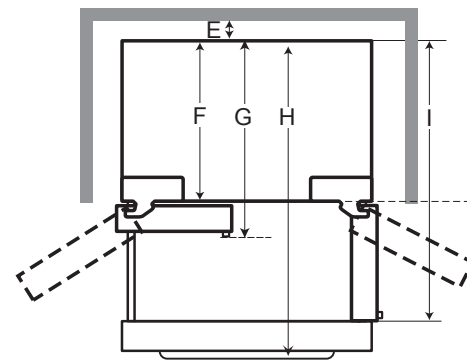
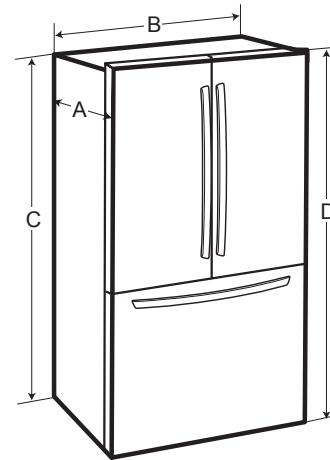
LIMITED WARRANTY

Parts & Labor	2 Years
Sealed System (Parts & Labor)	5 Years
Compressor (Parts & Labor)	5 Years
Linear / Inverter Compressor (Parts Only)	6-10 Years



*System tested and certified by NSF® International against NSF / ANSI Standard 42, Standard 53 and Standard 401.

DIMENSIONS / CLEARANCES



DIMENSIONS / CLEARANCES

A	Depth without Handles	29 1/8" (739 mm)
B	Width	35 3/4" (908 mm)
C	Height to Top of Case	68 7/8" (1750 mm)
D	Height to Top of Hinge	70 1/4" (1785 mm)
E	Back Clearance	2" (50 mm)
F	Depth without Door	24 3/4" (628 mm)
G	Depth with Handle	31 3/4" (804 mm)
H	Depth (Total with Freezer Drawer Open)	49" (1241 mm)
I	Depth (Total with Door Open 90°)	43 5/8" (1106 mm)

INSTALLATION NOTES

- The installation location chosen for the refrigerator should allow space behind the unit for connections and airflow and space in front to open the doors and drawers.
- Too small of a distance from adjacent items may result in lowered freezing capability and increased electricity consumption charges. Allow at least 24 inches (610 mm) in front of the refrigerator to open the doors, and at least 2 inches (50.8 mm) between the back of the refrigerator and the wall.